

SIDE-POWER

Thruster systems

New Control panels



New control panels

We are proud to introduce that the fourth generation of Sidepower intelligent control panels.

Part # 8955

Round touch panel,
2004 model



These new panels are designed with the same criteria as previous panels: easy to use, quick to install and safe, both for the user and installer. These panels have incorporated the same technology and design in terms of safety as the touch (8950) and joystick (8960) panels, but introduce a brand new look and installation method.

Part # 8965

Round boat switch
panel, 2004 model



The new design, compact and flush, is very similar to standard engine/dashboard instruments. The chrome trim ring makes for a very exclusive design giving dashboards a sleek, modern and uniform look.

The new joystick panel has a intuitive boat switch, which functions very similar to the docking panel, but with only a bow thruster.

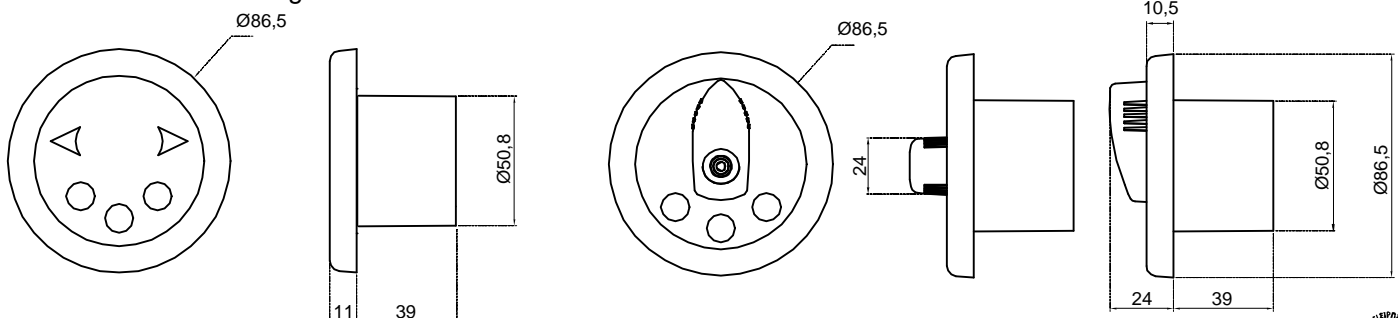
Important benefits of the new control panels:

Very fast and easy to fit:

- Round cut out hole (50,8mm / 2" standard engine instrument size)
- Pre-fitted large O-ring seal, can not be forgotten by installer
- Good overlap between cut out and external size helps cover accidental "chipping" or repair of such around the cut out hole.
- Chrome trim ring hides screws and provides a sleek and exclusive look.
- Multi voltage installation (12V & 24V) means no adjustments or fault possibilities and smaller stock levels for distributors and builders using both voltages.

Improved safety features:

- Auto off time set to 6 minutes after last use, same as the 8950 and 8960 panels. This provides less active time after use when accidental running is possible, while making it more user friendly for those that use the thruster in short bursts over longer time periods.
- The important "Dual ON" buttons continue as they provide maximum protection against accidental activation while still allowing for instant activation and use of the thruster.



Confidential

