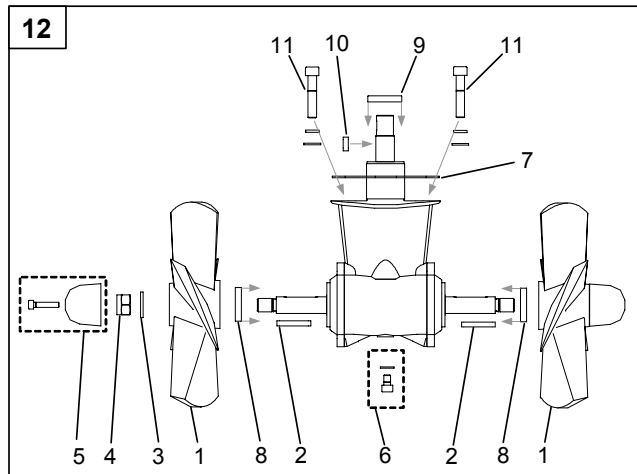
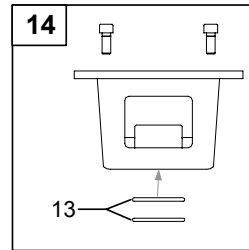
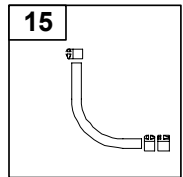
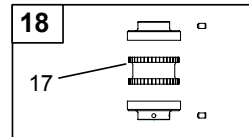
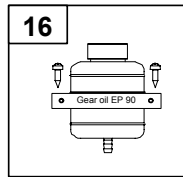
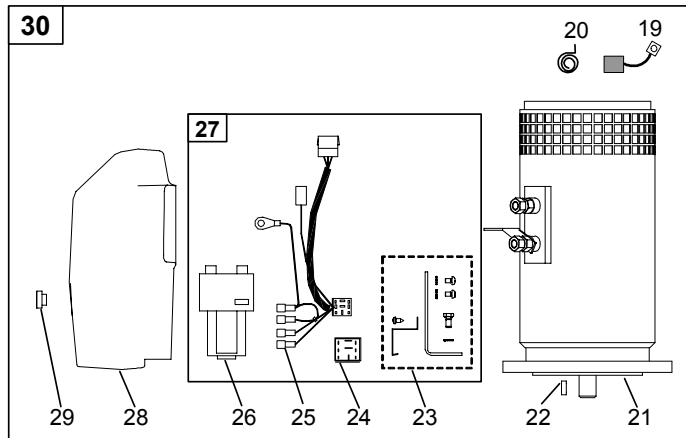


SP 125 T Basic parts system



Original model	SP 125 T	
	05/02 <	
Model period	Part #	
Ref:	12V	24V
30. Complete electric motor assembly	9 0100 12	9 0100 24
29. Nut for solenoid cover	6 8810	6 8810
28. Solenoid cover	9 2026	9 2025
27. Complete solenoid kit	9 0130 12	10 0130 24
26. Solenoid	10 1369	4 1371 24
25. Internal wiring loom	15 1273	6 1226
24. Electronic control box	6 1229	6 1229
23. Solenoid bracket kit	9 0135 12	10 0140 24
22. Key for electric motor shaft	10 1440	10 1440
21. Electric motor	9 1012	9 1024
20. Brush springs for electric motor (kit)	9 0170 12*	9 0170 24*
19. Brushes for electric motor (kit)	9 0180 12*	9 0180 24*
18. Complete flexible coupling	7 1453	7 1453
17. Rubber element	7 1451	7 1451
16. Oil container with holder	20 0300	20 0300
15. Oil hose with hose clamps	20 0400	20 0400
14. Complete motor bracket	10 0500	10 0500
13. O-ring seals in motor bracket	10 1340	10 1340
12. Complete gearleg	9 0600	9 0600
11. Gearleg bolt	10 1080	10 1080
10. Drive shaft key	10 1440	10 1440
9. Drive shaft seal	20 1351	20 1351
8. Propeller shaft seal	20 1350	20 1350
7. Gasket	9 0610	9 0610
6. Oil drain screw with gasket	10 1220	10 1220
5. Zinc anode	20 1180	20 1180
4. Locknut	10 1260	10 1260
3. Propeller washer	20 1181	20 1181
2. Propeller key	10 1241	10 1241
1. Propeller	10 1270 RH	10 1270 RH

Other comments:

* Please provide thruster serial number when ordering brushes and brush springs.