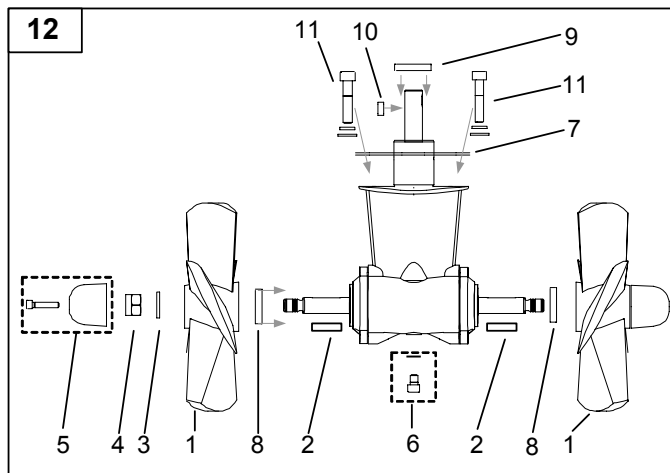
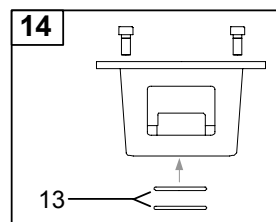
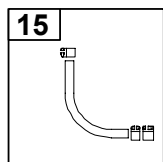
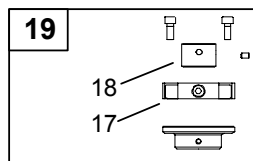
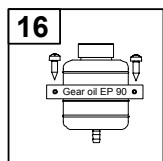
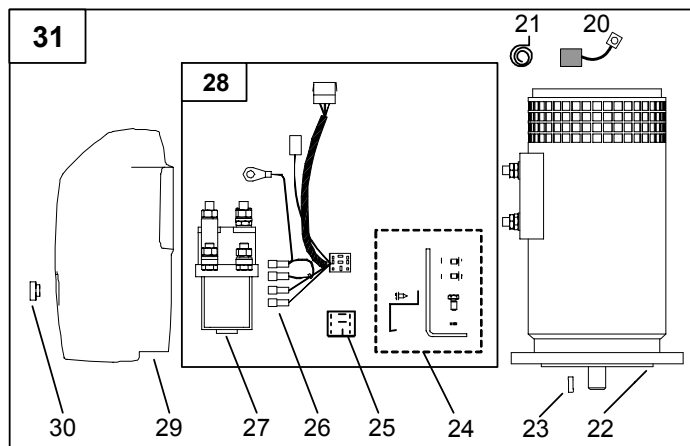


SP 220 TC Basic parts system



Original model	SP 220 TC	
	10/99 <	15 Hp (20150) 10/97 - 09/99
Model period	Part #	Part #
Ref:	24V	24V
31. Complete electric motor assembly	15 0100 24	15 0100 24
30. Nut for solenoid cover	6 8810	6 1285
29. Solenoid cover	20 2025	-
28. Complete solenoid kit	15 0130 24	-
27. Solenoid	10 1370	10 1370
26. Internal wiring loom	15 1273	10 1268
25. Electronic control box	6 1229	6 1229
24. Solenoid bracket kit	10 0135 24	-
23. Key for electric motor shaft	20 1440	20 1440
22. Electric motor	15 1024	15 1024
21. Brush springs for electric motor (kit)	15 0170 24*	15 0170 24*
20. Brushes for electric motor (kit)	15 0180 24*	15 0180 24*
19. Complete flexible coupling	20 1450	20 1450
18. Hub flexible coupling	20 1453	20 1453
17. Rubber element	20 1452	20 1452
16. Oil container with holder	20 0300	20 0300
15. Oil hose with hose clamps	20 0400	20 0400
14. Complete motor bracket	20 0500	20 0500
13. O-ring seals in motor bracket	20 1340	20 1340
12. Complete gearleg	20 0600	20 0600
11. Gearleg bolt	20 1080	20 1080
10. Drive shaft key	10 1440	10 1440
9. Drive shaft seal	20 1351	20 1351
8. Propeller shaft seal	20 1350	20 1350
7. Gasket	20 1312	20 1312
6. Oil drain screw w ith gasket	10 1220	10 1220
5. Zinc anode	20 1180	20 1180
4. Locknut	10 1260	10 1260
3. Propeller w asher	20 1181	20 1181
2. Propeller key	10 1241	10 1241
1. Propeller	20 110 ??	20 110 ??
Other comments:	?? Need to indicate if this is a left hand (LH) or right hand (RH) propeller.	?? Need to indicate if this is a left hand (LH) or right hand (RH) propeller.

* Please provide thruster serial number when ordering brushes and brush springs.