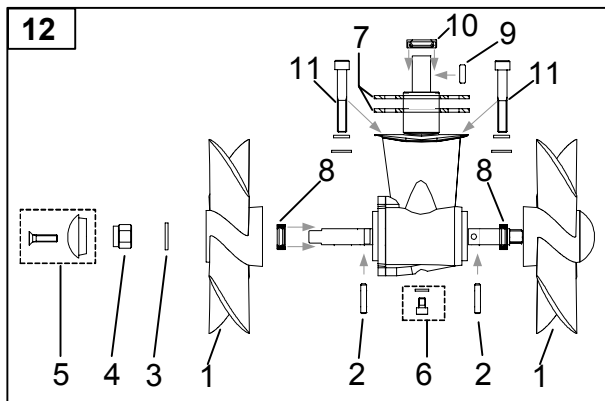
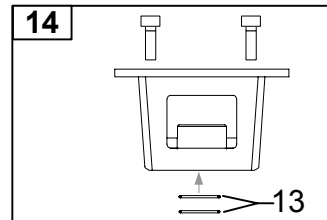
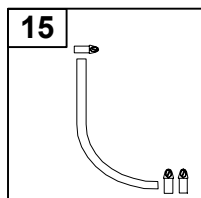
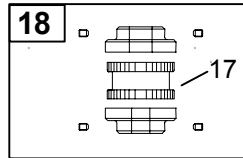
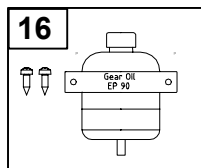
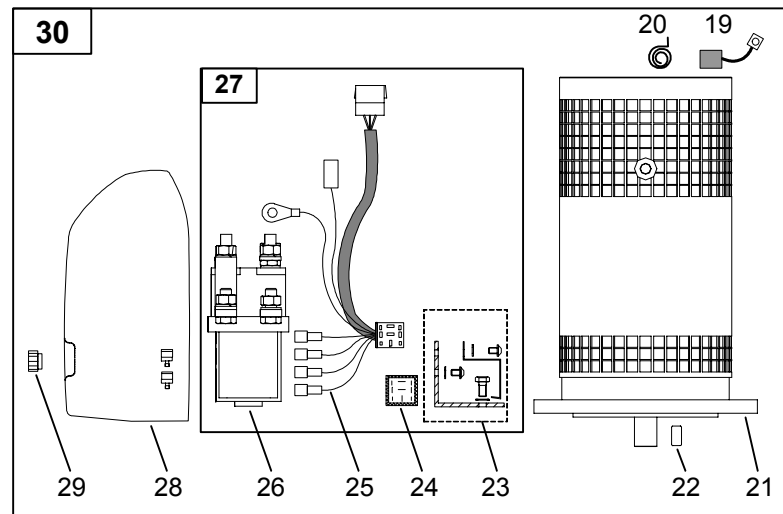


SP 95 T Basic parts system



Original model	SP 95 T	
	03/00 <	
Model period	Part #	
Ref:	12V	24V
30. Complete electric motor assembly	8 0100 12	8 0100 24
29. Nut for solenoid cover	6 8810	6 8810
28. Solenoid cover	8 2025	8 2026
27. Complete solenoid kit	8 0130 12	10 0130 24
26. Solenoid	10 1369	4 1371 24
25. Internal wiring loom	15 1273	6 1226
24. Electronic control box	6 1229	6 1229
23. Solenoid bracket kit	9 0135 12	10 0140 24
22. Key for electric motor shaft	10 1440	10 1440
21. Electric motor	8 1012	8 1024
20. Brush springs for electric motor (kit)	8 0170 12*	8 0170 24*
19. Brushes for electric motor (kit)	8 0180 12*	8 0180 24*
18. Complete flexible coupling	7 1450	7 1450
17. Rubber element	7 1451	7 1451
16. Oil container with holder	20 0300	20 0300
15. Oil hose with hose clamps	20 0400	20 0400
14. Complete motor bracket	8 0500	8 0500
13. O-ring seals in motor bracket	7 1340	7 1340
12. Complete gearleg	8 0600	8 0600
11. Gearleg bolt	7 1080	7 1080
10. Drive shaft seal	7 1350	7 1350
9. Drive shaft key	6 1440	6 1440
8. Propeller shaft seal	6 1350	6 1350
7. Gasket	8 0610	8 0610
6. Oil drain screw with gasket	6 1220	6 1220
5. Zinc anode	7 1190	7 1190
4. Locknut	4 1260	4 1260
3. Propeller washer	7 1181	7 1181
2. Propeller drive pin	6 1241	6 1241
1. Propeller	7 1260	7 1260

Other comments:

* Please provide thruster serial number when ordering brushes and brush springs.